



Simplicity Bubblers Chilled Beverage Dispensers 2x9 L, agitator model with locking lid and UK plug

ITEM # _____

MODEL # _____

NAME # _____

SIS # _____

AIA # _____



CCCRKS (ECS2E22UK)

Chilled Beverage Dispenser
with 2x9 liter bowls with
agitator and locking lid,
R290 - UK plug

Short Form Specification

Item No. _____

Chilled beverage dispenser, 2x9lt, with agitation function for fresh juices, coffees, or teas with minimal foaming system. Dispense 2 flavors in 2.4 gallon / 9lt easyclean bowls with 23cm cup clearance. Easy-off bowl release system for faster and easier assembly and disassembly. Bowls with locking lid for added safety against tampering. Temperature range from 1.7 - 5° C. Pre-mix dispenser with stainless steel base and clear plastic bowls. Delivered with UK plug.

Main Features

- Agitation function for fresh juices, coffees, or teas with minimal foaming system.
- Dispense 2 flavors in 9 L easy-clean bowls with 23 cm cup clearance.
- Easy-off bowl release system for faster and easier assembly and disassembly.
- User friendly design enables machine to dispense product till the very last drop.

Construction

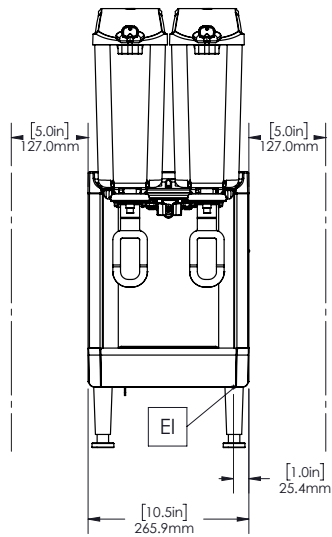
- Compact size of 27 cm wide saves valuable counter space.
- Temperature range from 1.7 - 5° C.
- Refrigerant type: R290.
- Pre-mix dispenser with stainless steel base and clear plastic bowls.
- Fewer removable parts to simplify cleaning and reduce maintenance.
- The air intakes from the bottom and exhaust to back.
- Locking lid for added safety against tampering.

APPROVAL: _____



Experience the Excellence
www.electroluxprofessional.com

Front



Electric

Supply voltage:

CCCRKS (ECS2E22UK) 220-240 V/1N ph/50/60 Hz

Electrical power max.:

0.4 kW

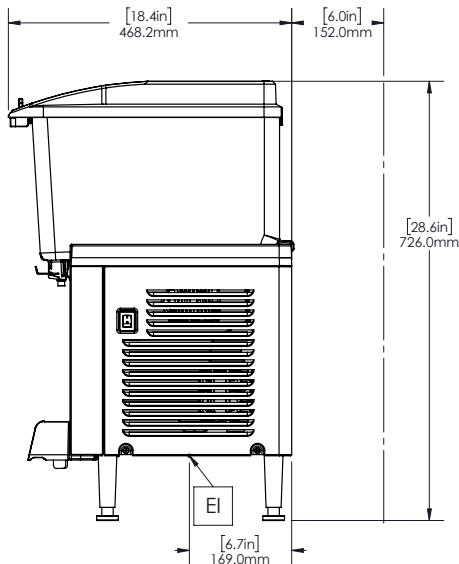
Key Information:

External dimensions, Width:	267 mm
External dimensions, Depth:	451 mm
External dimensions, Height:	729 mm
Net weight:	ISO 9001; ISO 14001 kg
Shipping weight:	24 kg
Shipping height:	530 mm
Shipping width:	380 mm
Shipping depth:	480 mm

Sustainability

Refrigerant type: R290

Side



Top

